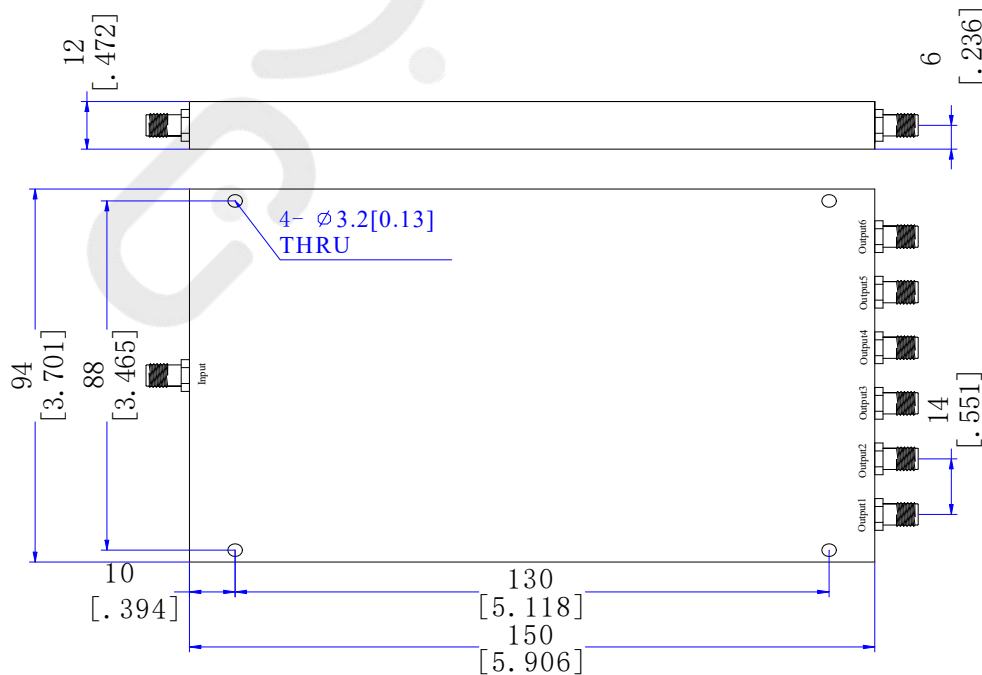


QY-PS6-0.5/6-SE

【一、产品参数Parameters/规格指标Specifications】

| | |
|------------------------------|---|
| 频率范围 Frequency Range | 500 ~ 6000 MHz/0.5-6GHz |
| 插入损耗 Insertion Loss | ≤ 3.0 dB (未含理论损耗 Excluding theoretical loss 7.8 dB) |
| 合路端驻波 Combined port VSWR | Typ.1.22 / Max.1.5 |
| 分配端驻波 Distribution port VSWR | Typ.1.13 / Max.1.3 |
| 隔离度 Isolation | Typ.26dB / Min.18dB |
| 幅度平衡 Amplitude Balance | ≤ 0.8dB |
| 相位平衡 Phase Balance | ±8° |
| 阻抗 Impedance | 50 Ohms |
| 端口接头 Input/Output Connectors | SMA-Female |
| 承受功率 Power Rating | Splitter 20W (功分器用时) ;Combiner 1W(合路器用时) |
| 工作温度 Operation Temperature | -35°C ~ +75°C |
| 表面处理 Surface Finishing | Sandblasting natural color conductive oxide 喷砂本导 |
| 外形尺寸 Outline Dimensions | 150*94*12 (mm) |
| 重量 Weight | 385 (g) |

【二、规格草图Draft specifications】

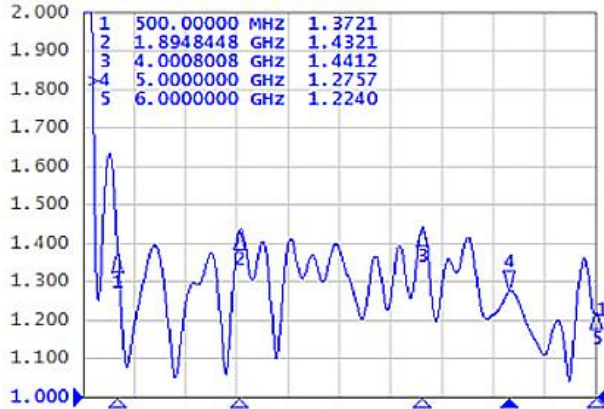


注: 尺寸(mm/[英寸]), 一般公差(± 0.3)

Note: Dimensions (mm / [inch]), General tolerance (±0.3)

【三、测试曲线图Test curve】

Tr1 S11 SWR 100.0m/ Ref 1.000 [F2]



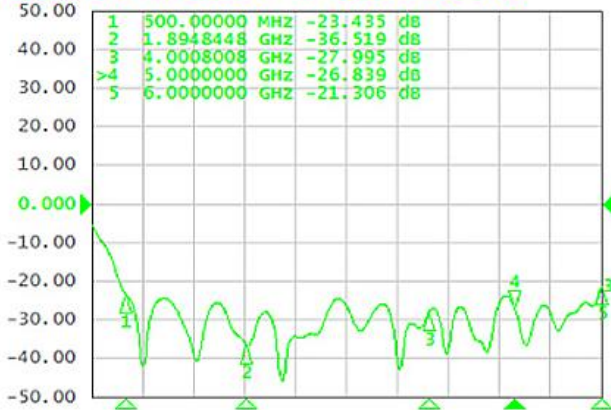
1.合路端驻波比 Combined Port VSWR

Tr2 S21 Log Mag 1.000dB/ Ref -9.000dB [F2]



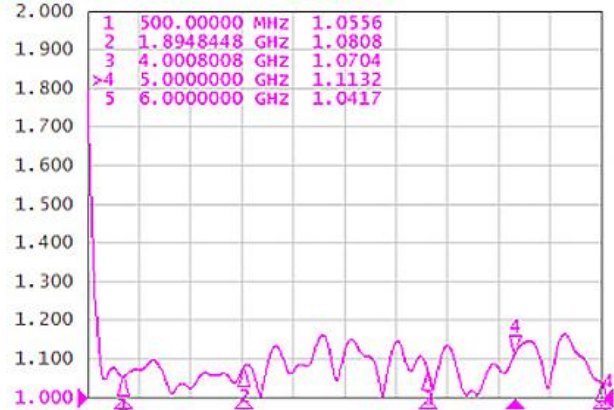
2.插入损耗 Insertion Loss

Tr3 S21 Log Mag 10.00dB/ Ref 0.000dB [F2 Smo]



3.隔离度 Isolation

Tr4 S22 SWR 100.0m/ Ref 1.000 [F2]



4.分配端驻波比 Distribution Port VSWR